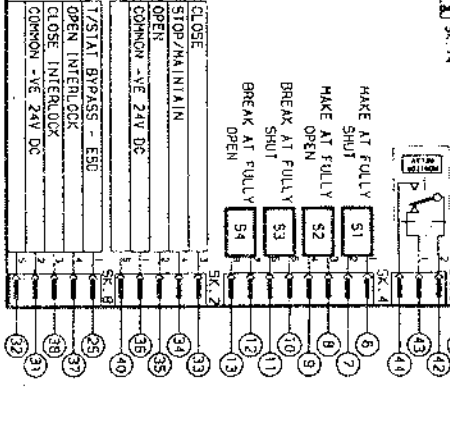
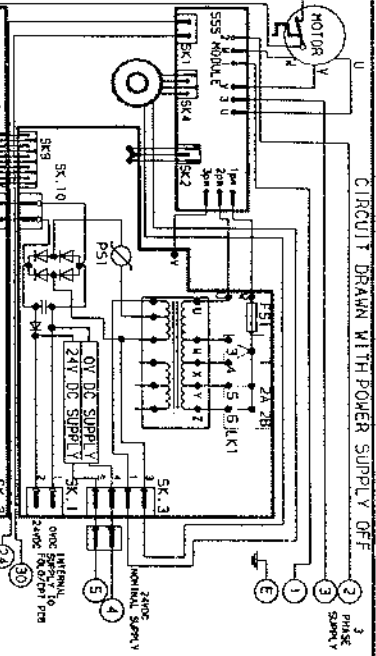


CIRCUIT DRAWN WITH POWER SUPPLY OFF



CIRCUIT DIAGRAM NO. REV. 5010-100-01

TRANSFORMER TAPPING OPTIONS

TAP	HIGH VOL. (60V/50V)	50HZ	60HZ
X	220/230	176-242	198-259
Y	380/400	304-418	342-446
Z	410/480	332-457	374-487

FUSE F31 - 250mA ANTI-SURGE

TAP	HIGH VOL. (50V/60V)	50HZ	60HZ
X	346/380	295-388	321-419
Y	480/500	406-552	432-564
Z	240/240	192-261	216-282

FUSE F31 - 250mA ANTI-SURGE

NOTE: THE ACTUATOR MUST BE PROTECTED USING SUITABLY RATED HIGH SPEED SEMI-CONDUCTOR FUSES ON THE INCOMING SUPPLY. SUGGESTED FUSES: 1010-20-10 Amp Ferraz G330010 1025-35-20 Amp Ferraz K330013 ALL TRANSFORMER TYPES - P31 SELF RESETTING FUSE

NOTE: WHERE CUSTOMERS WISH TO HAVE THE THERMOSTAT BY-PASSED DURING OPERATION, IT SHOULD BE NOTED THAT OPEN ACTUATOR HAZARDOUS ENGINE FAILURE IDENTIFICATION WILL BE INVALIDATED WHILE THE THERMOSTAT IS BY-PASSED. MAX EXTERNAL LOAD ON TERMINALS 4 & 5 TO BE 5A.

FOR TYPICAL REMOTE CONTROL INDICATING, MONITORING AND ALARM CIRCUITS SEE PUBLICATION E420E CONTROL SIGNAL THRESHOLD VOLTAGES TO BE MINIMUM ON 20V AC/DC MAXIMUM CONTROL SIGNAL DURATION TO BE 100MS. CURRENT DRAWN FROM EACH REMOTE CONTROL SIGNAL 15 5MA ON 24V DC WIRES ARE IDENTIFIED AT EACH END BY TERMINAL NO. OR TAG NO.

INDICATION CONTACTS 51-54 ARE SHOWN IN THEIR DEFAULT CONFIGURATION. CONTACTS MAY BE CONFIGURED FOR ANY OF THE FUNCTIONS DESCRIBED IN E70E

REVISIONS

NO.	DATE	REVISION
01	280301	FIRST ISSUE

TERMINALS NOT USED

TERMINAL	FUNCTION
1	DEMAND +VE
2	COMMON -VE
3	FEEDBACK +VE
4	24VDC
5	HAND/AUTO
6	COMMON -VE 24VDC
7	
8	
9	
10	
11	
12	
13	
14	

ROTORC CONTROLS LTD
BA1 3JG
Phone 01225-733200
Fax 01225-733150
E-mail: info@rotorc.com

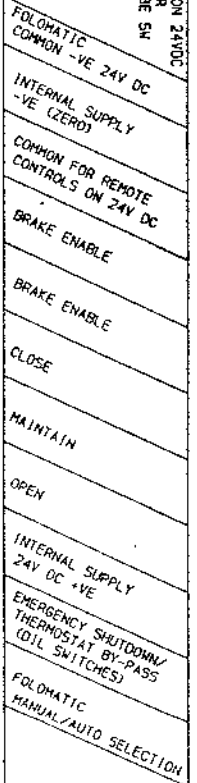
REMOTE CONTROL CIRCUITS

THE INFRA RED SETTING TOOL ENABLES VARIOUS DIFFERENT REMOTE CONTROLS TO BE CONFIGURED. UNLESS SPECIFIED REQUIREMENTS ARE STATED WITH THE ORDER ACTUATORS WILL BE SUPPLIED CONFIGURED AS FOLLOWS:-

- MAINTAINED LOCAL CONTROL
- THERMOSTAT BY-PASSED ON ESD
- CLOCKWISE TO CLOSE
- OPEN AND CLOSED INTERLOCKS DISABLED
- CLOSE SIGNAL PRIORITY
- INTERUPTION TIMER DISABLED
- THE TYPICAL REMOTE CONTROL CIRCUITS SHOWN BELOW APPLY TO THESE UNLESS OTHERWISE STATED

REMOTE CONTROLS MAY BE FED INTERNALLY FROM THE 24VDC SUPPLY AT TERMINAL 5 WHEN TERMINALS 4-36 MUST BE LINKED. REMOTE CONTROLS MAY BE FED FROM AN EXTERNAL SUPPLY WHEN THE ZERO/-VE OF THE SUPPLY SHOULD BE CONNECTED AS FOLLOWS:-

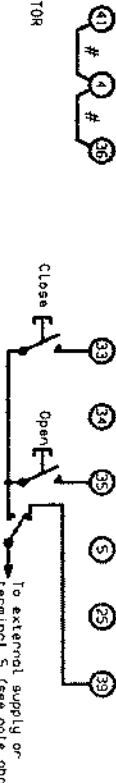
- TO TERMINAL 36 FOR 24V DC
- AND F CONTROL
- THE INPUT TO THE 10 SERIES ACTUATOR LOGIC CIRCUITS ASSOCIATED WITH THE REMOTE CONTROLS MAY BE USED WITH CABLE CAPACITANCE OF UP TO 2µF BETWEEN CORES



FOLOMATIC



FOLOMATIC WITH MANUAL/AUTO SELECTOR



FORM E



EMERGENCY SHUT-DOWN TO CLOSE VALVE OVERRIDING THERMOSTAT AND ANY EXISTING SIGNAL MAY BE ADDED TO ANY OF THE CIRCUITS ABOVE. ACTUATORS MAY BE COMBINED SO THAT ESD OPERATION TO OVERRIDE IS ATERNATE INTERLOCKS OR ESD TO OVERRIDE REMOTE CONTACTS MUST BE PROVIDED.

CONNECTIONS



ROTORC
ROTORC CONTROLS LTD
BA1 3JG
Phone 01225-733200
Fax 01225-733150
E-mail: info@rotorc.com

5010-100-01